

**Kabeladapter für 1 V<sub>SS</sub>/TTL Signale**  
**Cable adapter for 1 V<sub>pp</sub>/TTL Signals**

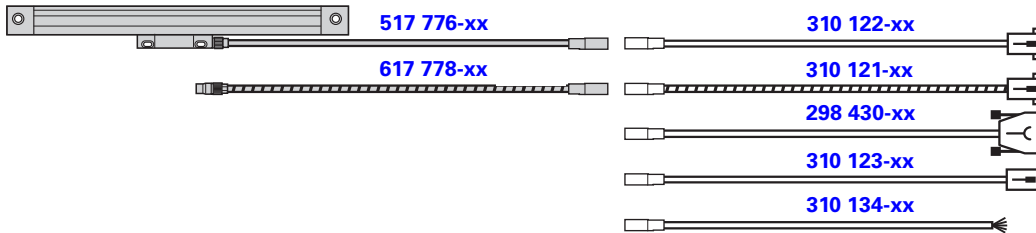
Alt

LS 476/486



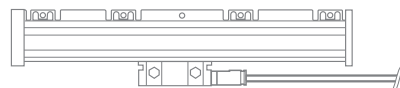
Neu

LS 477/487



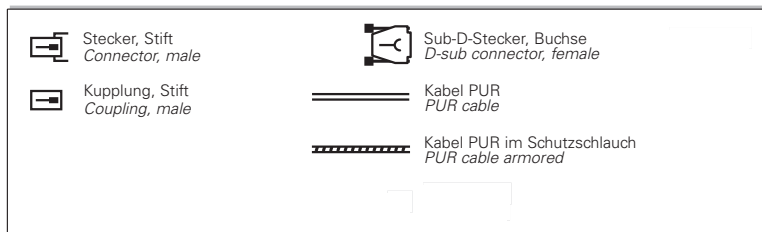
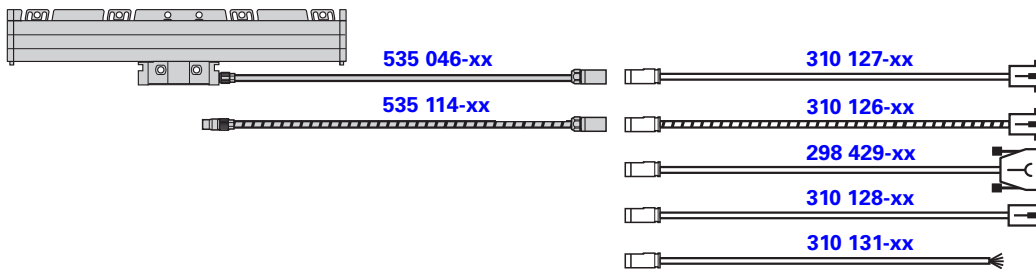
Alt

LS 176/LS 186



Neu

LS 177/LS 187



**Kabel für 1 V<sub>SS</sub>-, TTL- oder HTL- Signale**  
**Cables for 1 V<sub>PP</sub>, TTL or HTL Signals**

TTL/HTL

LS 323

LS 623/629  
MT, ST, CT

LS 176  
LIP 372

LS 476

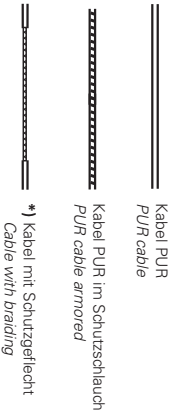
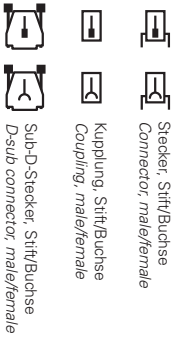
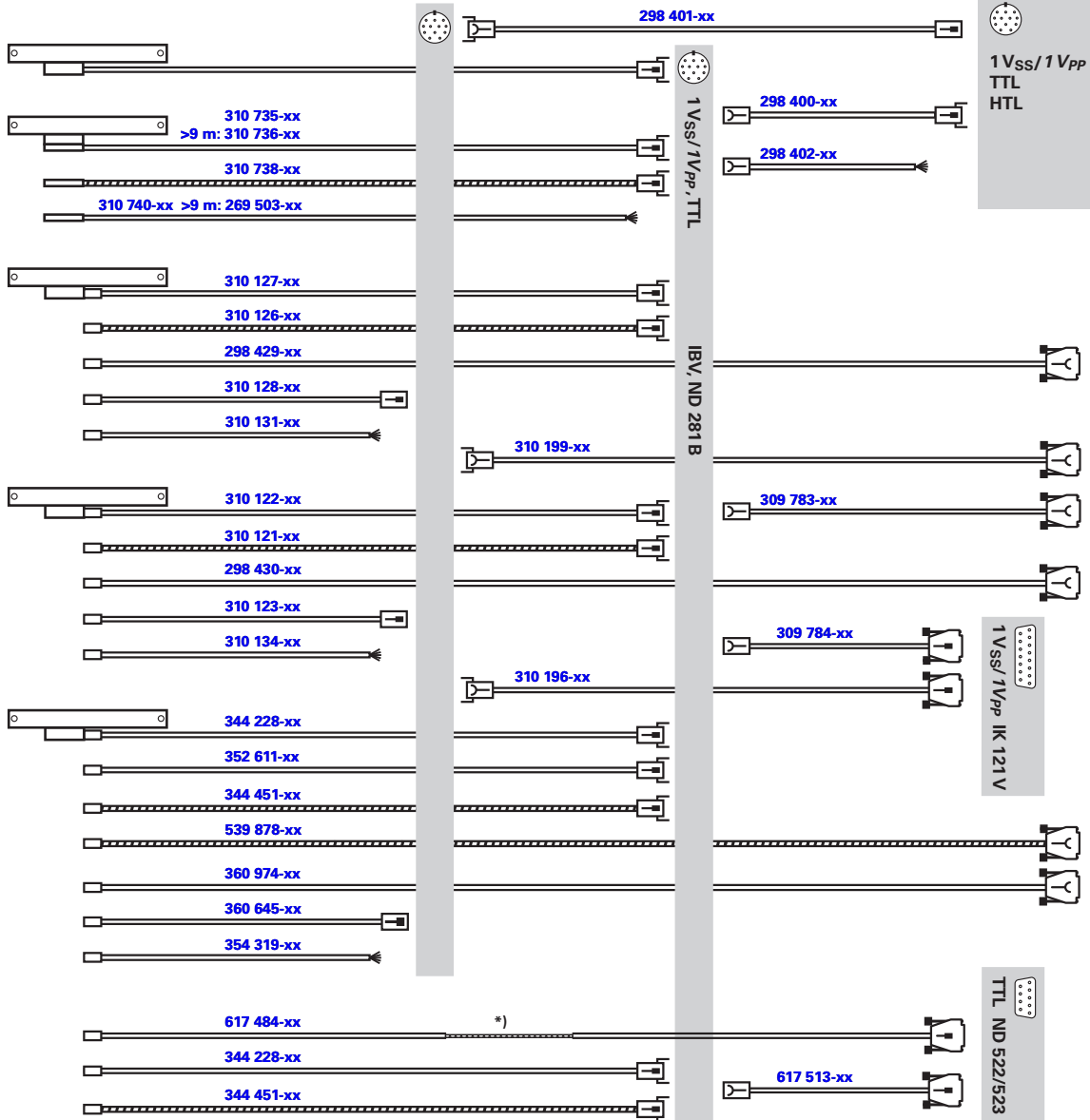
LS 177  
LS 477  
LS 328 C  
LS 378 C  
LS 628 C

~ 1 V<sub>SS</sub>  
1 V<sub>PP</sub>

LF 183  
LB 382  
LIP 382

LF 481

LS 187  
LS 487  
LS 388 C  
LS 688 C



## Kabel für 1 V<sub>SS</sub>-, TTL- oder HTL- Signale Cables for 1 V<sub>PP</sub>, TTL or HTL Signals

TTL/HTL

~ 1V<sub>SS</sub> / 1V<sub>PP</sub>

LIP 471/571  
LIF 171  
LIF 471  
PP 271  
ST 127x, ST 307x  
MT 1271, MT 2571

LIP 481/581  
LIF 181  
LIF 481  
PP 281  
ST 128x, ST 308x  
MT 128x, MT 258x

LIDA 475/477/479

LIDA 485/487/489

LIDA 181/185/187

LIDA 171/175/177

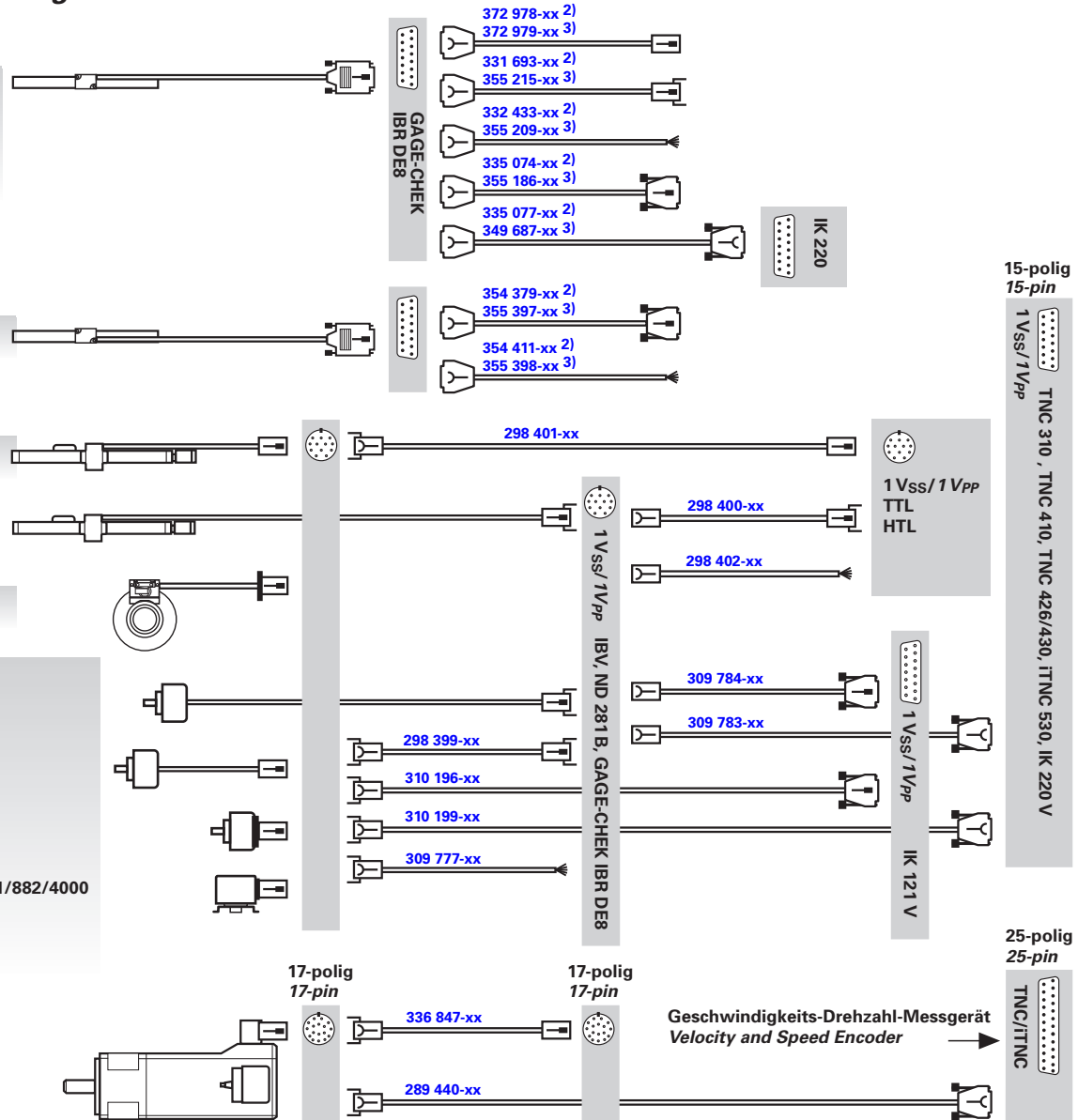
ERO 785

ROD 220/270  
ROD 420/430  
ROD 426/436/466  
ROD 1020/1030  
RON 225/275  
ERN 120/130  
ERN 1020/1030  
ERN 420/430/460  
ERM 120

ROD 280  
ROD 480/486  
ROD 780/880  
ROD 1080  
RON 285/287  
RON 785/786  
RON 886  
ERN 180  
ERN 1080/1085  
ERN 480  
ERA 780/781/880/881/882/4000  
ERM 280/2484/2485  
RPN 886




















2) ∅ 8 mm  
3) ∅ 6 mm max. Kabellänge 9 m



## Ausgangskabel 1 Vss, TTL Encoder cable 1 Vpp, TTL

17-polig  
17-pin

ERN 1120 (JAE) ERN 1180 (JAE)		1) 541 249-xx	
ERN 1381 ERN 1321		2) 333 276-01 1) 340 111-01	
ERO 12x5, ERO 1384 ERP 880		1) 372 164-01	
ERN 1185		2) 317 900-xx 2) 316 594-03	
ERN 1387		2) 332 200-xx 2) 332 199-01	
ERN 1326		2) 341 369-01 2) 341 370-01	
ERO 1324		1) 295 545-01	
ERO 14x0		1) 346 439-01 4) 365 509-01	

	Winkel-Flanschdose, Stift <i>Right-angle flange socket, male/female</i>	1) Kabel PUR <i>PUR cable</i>
	Flanschdose <i>flange socket</i>	2) Kabel mit EPG-Mantel <i>Cable with EPG sheathing</i>
		3) Einzellitzen mit Schrumpfschlauch (ohne Schirmung) <i>Single wires with heat-shrink tubing (without shielding)</i>
		4) Flachbandkabel <i>ribbon cable</i>