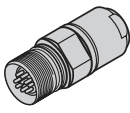

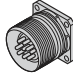
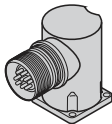

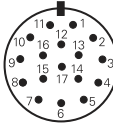

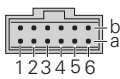








# Pin Layout

## Pin layout

17-pin coupling or flange socket M23						12-pin PCB connector							
													
	Power supply					Incremental signals <sup>1)</sup>				Absolute position values			
	7	1	10	4	11	15	16	12	13	14	17	8	9
	1b	6a	4b	3a	/	2a	5b	4a	3b	6b	1a	2b	5a
	U <sub>P</sub>	Sensor <sup>2)</sup> U <sub>P</sub>	0V	Sensor <sup>2)</sup> 0V	Inside shield	A+	A-	B+	B-	DATA	DATA	CLOCK	CLOCK
	Brown/Green	Blue	White/Green	White	/	Green/Black	Yellow/Black	Blue/Black	Red/Black	Gray	Pink	Violet	Yellow

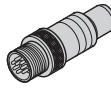

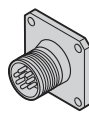
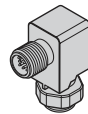

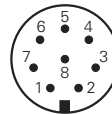


Other signals	
	5 6
	/ /
	T+ <sup>3)</sup> T- <sup>3)</sup>
	Brown <sup>3)</sup> White <sup>3)</sup>

**Cable shield** connected to housing; **U<sub>P</sub>** = power supply voltage; **T** = temperature **Sensor**: The sensor line is connected internally with the corresponding power line. Vacant pins or wires must not be used!

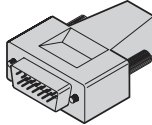
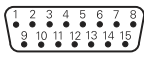

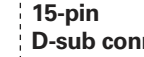


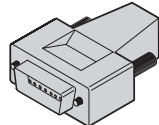





<sup>1)</sup> Only with ordering designations 01 and 02

<sup>2)</sup> Not assigned if a power of 7 to 10 V is supplied via motor-internal adapter cable

<sup>3)</sup> Only for motor-internal adapter cables

8-pin coupling or flange socket M12												
												
	Power supply					Absolute position values						
	2	8	1	5	3	4	7	6				
	U <sub>P</sub> <sup>1)</sup>	U <sub>P</sub>	0V <sup>1)</sup>	0V	DATA	DATA	CLOCK	CLOCK				
	Blue	Brown/Green	White	White/Green	Gray	Pink	Violet	Yellow				

<sup>1)</sup> For parallel supply lines

15-pin D-sub connector, male for IK 115/IK 215						15-pin D-sub connector, female for HEIDENHAIN controls and IK 220								
														
	Power supply					Incremental signals <sup>1)</sup>				Absolute position values				
	4	12	2	10	6	1	9	3	11	5	13	8	15	
	1	9	2	11	13	3	4	6	7	5	8	14	15	
	U <sub>P</sub>	Sensor <sup>2)</sup> U <sub>P</sub>	0V	Sensor <sup>2)</sup> 0V	Inside shield	A+	A-	B+	B-	DATA	DATA	CLOCK	CLOCK	
	Brown/Green	Blue	White/Green	White	/	Green/Black	Yellow/Black	Blue/Black	Red/Black	Gray	Pink	Violet	Yellow	

**Cable shield** connected to housing; **U<sub>P</sub>** = power supply voltage <sup>1)</sup> Only with ordering designation 01 and 02

**Sensor**: The sensor line is connected internally with the corresponding power line.

Vacant pins or wires must not be used!