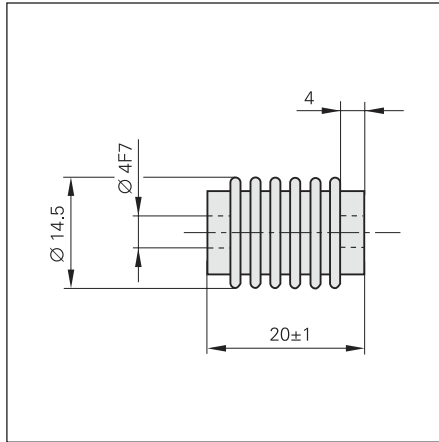
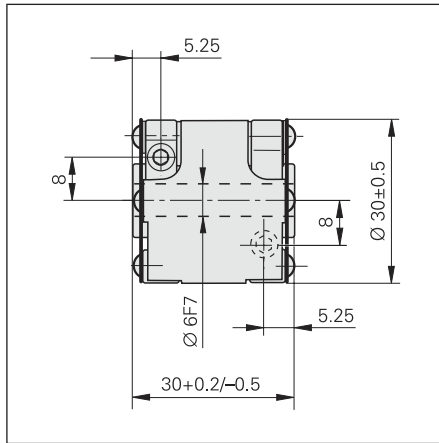


18 EBN 3 metal bellows coupling
for encoders of the ROD 1000 series
with **4-mm shaft diameter**
ID 200 393-02

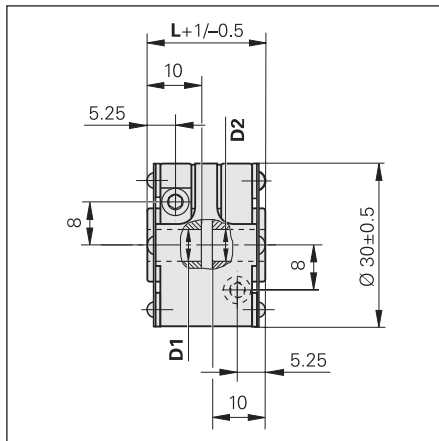


K 14 diaphragm coupling
for ROC/ROQ/ROD 400 series
with **6-mm shaft diameter**
ID 293 328-01



Recommended fit for the
customer shaft: h6

K 17 diaphragm coupling with galvanic
isolation
for ROC/ROQ/ROD 400 series
with **6 or 10 mm shaft diameter**
ID 296 746-xx



K 17 variants	D1	D2	L
01	Ø 6 F7	Ø 6 F7	22 mm
02	Ø 6 F7	Ø 10 F7	22 mm
03	Ø 10 F7	Ø 10 F7	30 mm
04	Ø 10 F7	Ø 10 F7	22 mm
06	Ø 5 F7	Ø 6 F7	22 mm

Dimensions in mm



Tolerancing ISO 8015
ISO 2768 - m H
< 6 mm: ±0.2 mm